



ORIGINAL

No. 111237

भारत सरकार
GOVERNMENT OF INDIA
पेटेंट कार्यालय
THE PATENT OFFICE

CERTIFICATE OF REGISTRATION OF DESIGN

Design No. 357744-004
Date 02/02/2022
Reciprocity Date*
Country

Certified that the design of which a copy is annexed hereto has been registered as of the number and date given above in class 15-09 in respect of the application of such design to DIRECT PLASTIC GRANULE EXTRUDER FOR 3D PRINTING in the name of 1.PANDIT DEENDAYAL ENERGY UNIVERSITY, RAISAN VILLAGE, GANDHINAGAR - 382007, GUJARAT, INDIA 2. DHANRAJ PATEL, DEPARTMENT OF MECHANICAL ENGINEERING, SCHOOL OF TECHNOLOGY, PANDIT DEENDAYAL ENERGY UNIVERSITY, GANDHINAGAR, 382426, GUJARAT, INDIA 3. SMIT SANJAY PATEL, DEPARTMENT OF MECHANICAL ENGINEERING, SCHOOL OF TECHNOLOGY, PANDIT DEENDAYAL ENERGY UNIVERSITY, GANDHINAGAR, 382426, GUJARAT, INDIA 4. JASH RAKESHKUMAR SHAH, DEPARTMENT OF MECHANICAL ENGINEERING, SCHOOL OF TECHNOLOGY, PANDIT DEENDAYAL ENERGY UNIVERSITY, GANDHINAGAR, 382426, GUJARAT, INDIA , ET AL.

in pursuance of and subject to the provisions of the Designs Act, 2000 and the Designs Rules, 2001.

INTELLECTUAL

PROPERTY INDIA

Controller General of Patents, Designs and Trade Marks

PATENTS | DESIGNS | TRADE MARKS

GEOGRAPHICAL INDICATIONS

*The reciprocity date (if any) which has been allowed and the name of the country.

Copyright in the design will subsist for ten years from the date of Registration, and may under the terms of the Act and Rules, be extended for a further period of five years.

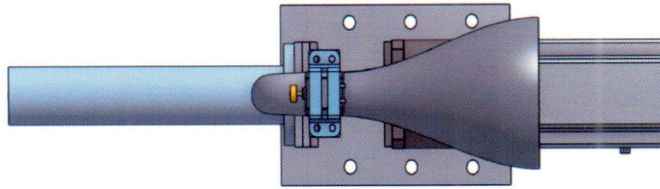
This Certificate is not for use in legal proceedings or for obtaining registration abroad

PROF. TARUN SHAH (REGISTRAR),
PANDIT DEENDAYAL ENERGY UNIVERSITY,
RAISAN VILLAGE, GANDHINAGAR - 382007,
GUJARAT, INDIA

Date of Issue 06/04/2022 12:08:01

Name of the Applicant: PANDIT DEENDAYAL ENERGY UNIVERSITY,
DHANRAJ PATEL, SMIT SANJAY PATEL,
JASH RAKESHKUMAR SHAH,
KAUSHAL JAGDISHKUMAR PANCHAL, DR. PANKAJ SAHLOT

No. of Sheets: 5
Sheet No. 1



FRONT VIEW

The Novelty resides in the shape and configuration of "Direct Plastic Granule Extruder for 3D Printing" "As illustrated.

No Claim is made by virtue of this registration in respect of any mechanical or, other action of any mechanism whatever or in respect of any mode or principle of construction of the Article.

No claim is made by virtue of this registration to any right to the exclusive use of the words, letters, trademarks appearing in the representation.

Date: 31.01.22 Signature of the Applicant

(PANDIT DEENDAYAL ENERGY UNIVERSITY)
(PROF. TARUN SHAH, Registrar)

(DHANRAJ PATEL)

(SMIT SANJAY PATEL)

(JASH RAKESHKUMAR SHAH)

(KAUSHAL JAGDISHKUMAR PANCHAL)

(DR. PANKAJ SAHLOT)

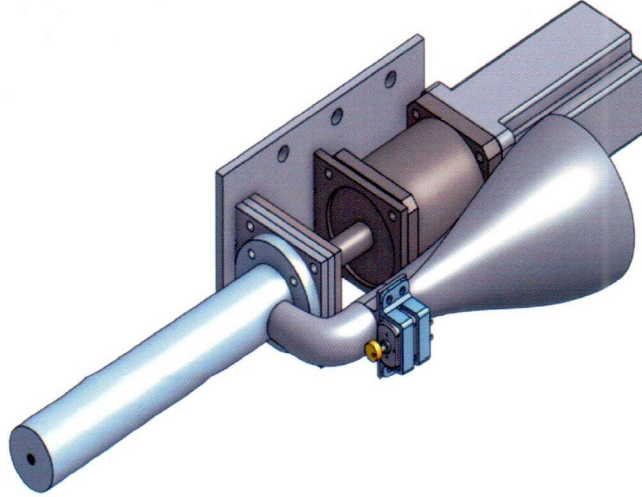
357744-004

02 FEB 2022

26

Name of the Applicant: PANDIT DEENDAYAL ENERGY UNIVERSITY,
DHANRAJ PATEL, SMIT SANJAY PATEL,
JASH RAKESHKUMAR SHAH,
KAUSHAL JAGDISHKUMAR PANCHAL, DR. PANKAJ SAHLOT

No. of Sheets: 5
Sheet No. 2



PERSPECTIVE VIEW

The Novelty resides in the shape and configuration of " *Direct Plastic Granule Extruder for 3D Printing* " As illustrated.

No Claim is made by virtue of this registration in respect of any mechanical or, other action of any mechanism whatever or in respect of any mode or principle of construction of the Article.

No claim is made by virtue of this registration to any right to the exclusive use of the words, letters, trademarks appearing in the representation.

Date: 31.01.22 Signature of the Applicant

(PANDIT DEENDAYAL ENERGY UNIVERSITY)
(PROF. TARUN SHAH, Registrar)

(DHANRAJ PATEL)

(SMIT SANJAY PATEL)

(JASH RAKESHKUMAR SHAH)

(KAUSHAL JAGDISHKUMAR PANCHAL)

(DR. PANKAJ SAHLOT)

357744-004

02 FEB 2022