

(54) Title of the invention : WEARABLE SEARCH LIGHT FOR RESCUE OPERATION

(51) International classification :B66B0005020000, A61B0005000000, B60Q0001240000, F21V0015040000, B64D0047020000

(86) International Application No :NA
 Filing Date :NA

(87) International Publication No : NA

(61) Patent of Addition to Application Number :NA
 Filing Date :NA

(62) Divisional to Application Number :NA
 Filing Date :NA

(71)Name of Applicant :
1)PANDIT DEENDAYAL ENERGY UNIVERSITY
 Address of Applicant :PANDIT DEENDAYAL ENERGY UNIVERSITY KNOWLEDGE CORRIDOR, RAISAN VILLAGE, GANDHINAGAR - 382007, GUJARAT, INDIA. -----

Name of Applicant : NA
 Address of Applicant : NA

(72)Name of Inventor :
1)TARUN SHAH
 Address of Applicant :PANDIT DEENDAYAL ENERGY UNIVERSITY KNOWLEDGE CORRIDOR, RAISAN VILLAGE, GANDHINAGAR - 382007, GUJARAT, INDIA. -----

2)DR.ANIRBID SIRCAR
 Address of Applicant :PANDIT DEENDAYAL ENERGY UNIVERSITY KNOWLEDGE CORRIDOR, RAISAN VILLAGE, GANDHINAGAR - 382007, GUJARAT, INDIA. -----

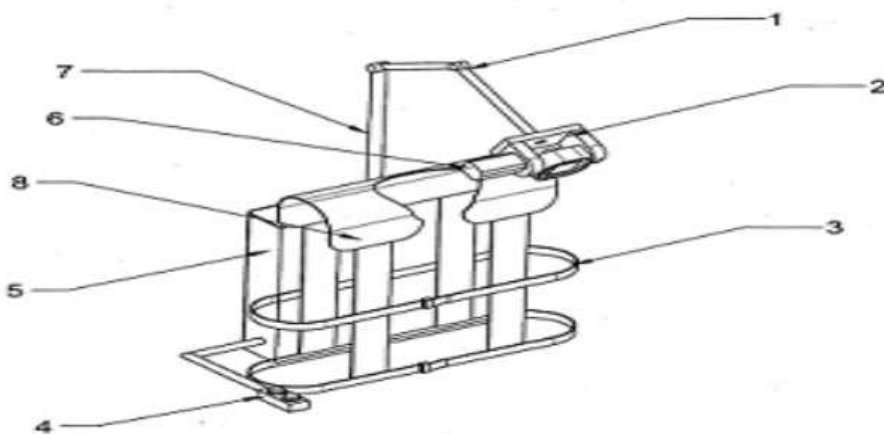
3)DR.KRITI YADAV
 Address of Applicant :PANDIT DEENDAYAL ENERGY UNIVERSITY KNOWLEDGE CORRIDOR, RAISAN VILLAGE, GANDHINAGAR - 382007, GUJARAT, INDIA. -----

4)MS.NAMRATA BIST
 Address of Applicant :PANDIT DEENDAYAL ENERGY UNIVERSITY KNOWLEDGE CORRIDOR, RAISAN VILLAGE, GANDHINAGAR - 382007, GUJARAT, INDIA. -----

(57) Abstract :

The titled invention Wearable search light for rescue operation discloses the design of hands free search light to illuminate the dark space while conducting rescue operation at the deep space on the hill station to recover the victims or the accidental vehicle. The wearable jacket is light weight and equipped with overhead LED search light is strapped on the body of the rescuer by fastening the provided straps on the body of the rescuer and the overhead light is focused and illuminates the dark spots on the accident site hands free so that the rescuer can fully concentrate to recover the victim using their two hands and there is no necessity to hold the light in hand. The device is designed to operate by the rechargeable battery and it lasts long as the device consumes very meager power.

FIGURE : 1



No. of Pages : 12 No. of Claims : 6